

AN ISO 9001 : 2000 COMPANY

# ROTARY PUMPS



*Right Way to Lubrication*



## FLANGE TYPE

These pumps with positive displacement of Oil are gear type and are suitable for different applications such as Lubrication of Head Stocks, Gear Boxes, Low Pressure Hydraulic Power Packs and Recalculating Units etc.

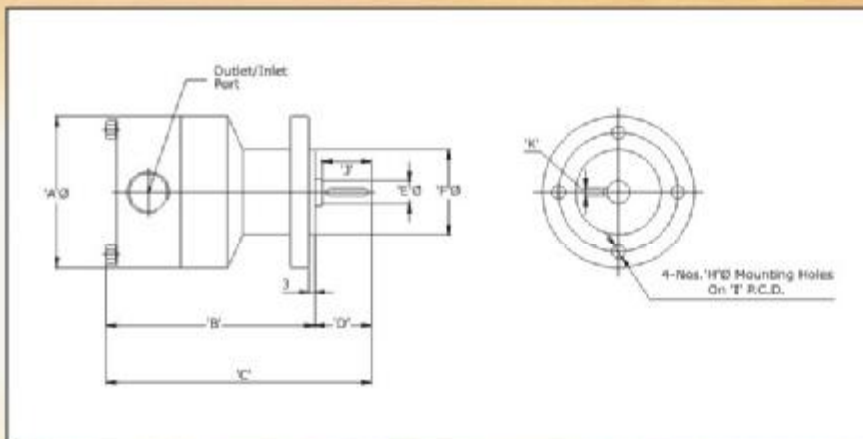
These Pumps are suitable for Oil with wide range of viscosity 30~400cst/40 C.

### Models Available

- MLRP-1,
- MLRP-3,
- MLRP-6 ,
- MLRP-10 & MLRP-16

Please ask for specifications:-

## BARE SHAFT TYPE



We also manufacture  
**INSERT Type and**  
**Dual Direction Rotary Pumps**

MODEL	LPM@ 1500RPM	DIMENSIONS IN MM										
		A	B	C	D	E	F	G	H	I	J	K
RP-0.5	0.5	50	53	72	18	08	30	1/8"x28 BSP	6.5	45	20	3x14
RP-01	01	60	74	95	22	10	35	1/4"x19BSP	6.5	45	20	3x14
RP-03	03	60	78	102	24	10	35	1/4"x19BSP	6.5	45	20	3x14
RP-06	06	80	96	130	34	13	45	1/4"x19BSP	8.5	65	25	4x17
RP-10	10	80	104	140	36	13	45	3/8"x19BSP	8.5	65	25	4x17
RP-16	16	115	122	165	40	16	65	1/2"x14 BSP	8.5	95	32	4x17

## LUBRITE INDUSTRIES

Opp. B. N. Duggal Petrol Pump,  
G.T. Road, PHAGWARA 144 401 (Pb.) India  
Tele. : +91 1824 329988, 228438 Fax. : +91 1824 503488  
Email : info@lubriteindustries.com  
Website : lubriteindustries.com

Authorised Dealers :

art masters  
094641 96007